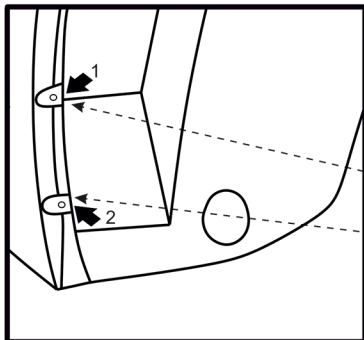


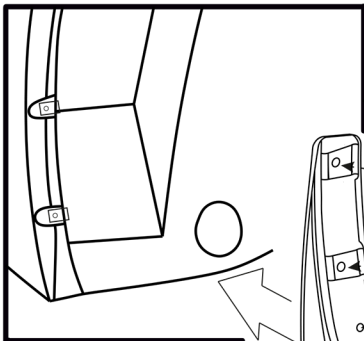
# Mudflaps rear

## TOYOTA VERSO 2013-2018






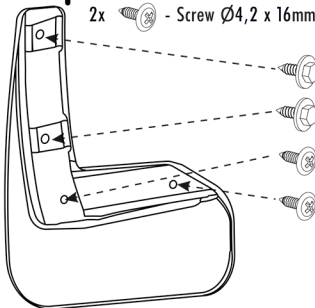
### Preparation

1. Attach the mudflaps and mark the attachment points 1,2.
2. Drill holes  $\varnothing 6,5\text{mm}$ .
3. Install spring clips.



### Installation

- 2x  - Screw  $\varnothing 4,8 \times 14\text{mm}$
- 2x  Spring clip
- 2x  - Screw  $\varnothing 4,2 \times 16\text{mm}$



Арт.: EXP.NLF.48.01.E11

Set package

Mudflap - 2 pcs.  
Screw  $\varnothing 4,2 \times 16\text{mm}$  (TL-028) - 4 pcs.  
Screw  $\varnothing 4,8 \times 14\text{mm}$  (TL-029) - 4 pcs.  
Spring clip (TL-039) - 4 pcs.