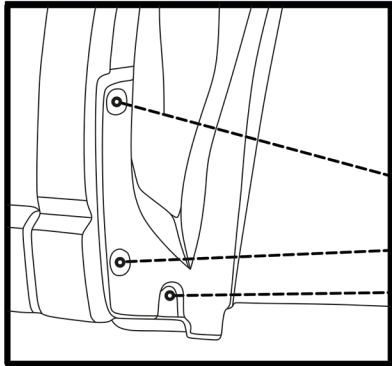
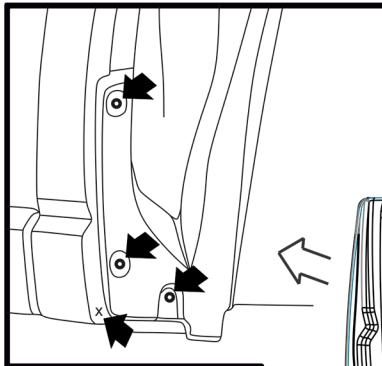


Mudflap front SUBARU Forester 2018->



Preparation

3x  Original clip

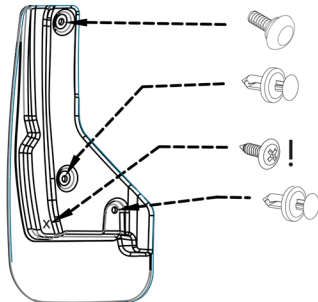


Installation

1x  Clip 8 x 20

2x  Clip 8 x 21

1x  Screw 4,2 x 16, (black)



Art.: EXP.NLF.46.21.F13

! If the better fit is necessary, use the screw from set package.

Set package

Mudflap - 2pcs. Screw 4,2 x 16 (TL-028) - 2 pcs.,
Clip 8 x 21 (TL-031) - 4 pcs.,
Clip 8 x 20 (TL-006) - 2 pcs.