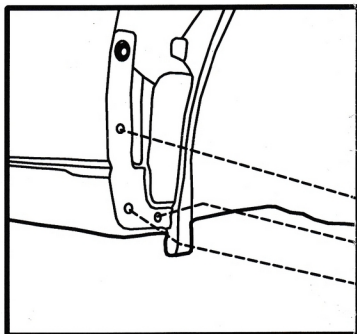


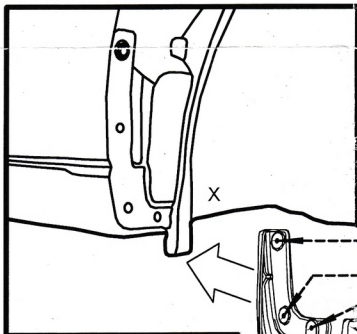
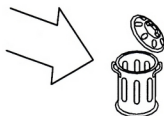
# FROSCH

## Mudflaps front Subaru Forester 2015->



### Preparation


3x  - original plastic rivet

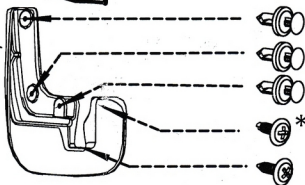


### Installation

3x  - plastic rivet  $\varnothing$  8x21 mm

1x  - screw  $\varnothing$  4,2x16 mm

1x  - screw  $\varnothing$  4,2x16 mm  
with a drill\*



Art.: EXP.NLF.46.20.FI3

Set package

Mudflap - 2 pcs. Plastic rivet  $\varnothing$  8x21 mm - 6 pcs.  
Screw  $\varnothing$  4,2x16 mm - 2 pcs. Screw  $\varnothing$  4,2x16 mm with a drill - 2 pcs